

TRANSTECNO[®]
the modular gearmotor

ECP

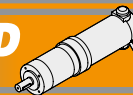


Small but Strong

ECP

Motoriduttori CC epicicloidali
a magneti permanenti in ferrite
**Ferrite permanent magnets DC
planetary gearmotors**

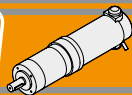




Indice	Index	Pag. Page
Caratteristiche tecniche	<i>Technical features</i>	H2
Designazione	<i>Classification</i>	H2
Versioni	<i>Versions</i>	H2
Simbologia	<i>Symbols</i>	H2
Lubrificazione	<i>Lubrication</i>	H2
Carichi radiali	<i>Radial loads</i>	H3
Rapporti	<i>Ratios</i>	H3
Dati tecnici	<i>Technical data</i>	H4
Motori applicabili	<i>IEC Motor adapters</i>	H11
Dimensioni	<i>Dimensions</i>	H12

Questa sezione annulla e sostituisce ogni precedente edizione o revisione. Qualora questa sezione non Vi sia giunta in distribuzione controllata, l'aggiornamento dei dati ivi contenuto non è assicurato. **In tal caso la versione più aggiornata è disponibile sul nostro sito internet www.transtecno.com**

*This section replaces any previous edition and revision. If you obtained this catalogue other than through controlled distribution channels, the most up to date content is not guaranteed. **In this case the latest version is available on our web site www.transtecno.com***

**ECP****MOTORIDUTTORI CC EPICICLOIDALI A MAGNETI PERMANENTI IN FERRITE**
FERRITE PERMANENT MAGNETS DC PLANETARY GEARMOTORS**Caratteristiche tecniche****Technical features**

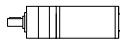
Le caratteristiche principali dei motoriduttori CC epicicloidali a magneti permanenti in ferrite serie ECP sono:

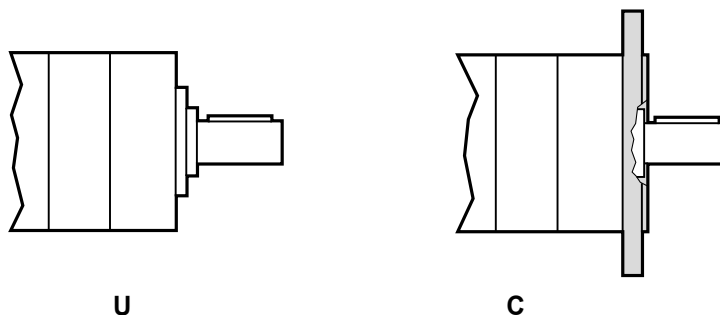
The main features of ECP Ferrite permanent magnets DC planetary gearmotors range are:

- Alimentazione in bassa tensione 12/24 Vcc
- Possibilità di montaggio encoder
- Potenze motore disponibili da 30 a 800W S2
- Magneti in ferrite
- Entrata ed uscita coassiali
- Design compatto
- Lubrificazione permanente a grasso
- Possono essere installati in qualunque posizione di montaggio.

- Low voltage power supply 12/24 Vdc
- Suitable for encoder assembly
- Motor power ratings available from 30 up to 800W S2
- Ferrite magnets
- Coaxial arrangement of the input and output
- Compact design
- Permanent grease oil long-life lubrication
- Can be intalled in all mounting position.

Designazione**Classification**

MOTORIDUTTORE / GEARMOTOR										2	C	90	34.97	120	BR
ECP	070/62									Stadi riduttore Gearbox stages	Versione riduttore Gearbox Version	Flangia Uscita Output flange	Rapporto Ratio	Versione Motore Motor Version	Opzioni Options
Tipo Type	Grandezza Size														
	020/42	035/42	050/42	070/52	100/52	180/52	250/62	350/62	600/72	1	U	80	Vedere tabella See tables	120	BR
		035/52	050/52	070/62	100/62	180/62	250/72	350/72	600/81	2	C	90		240	BRL
				070/72	100/72	180/72	250/81	350/81	600/105	3		105			
				070/81	100/81	180/81	250/105	350/105	600/120			120			24E
						180/105	250/120	350/120							
						180/120									

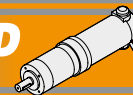
Versioni**Versions****Simbologia****Symbols**

n_1 [min ⁻¹]	Velocità in ingresso / Input speed	sf	Fattore di servizio / Service factor
n_2 [min ⁻¹]	Velocità in uscita / Output speed	Rd %	Rendimento dinamico / Dynamic efficiency
i	Rapporto di riduzione / Ratio	A ₂ [N]	Carico assiale ammissibile in uscita / Permitted output axial load
P ₁ [kW]	Potenza in entrata / Input power	R ₂ [N]	Carico radiale ammissibile in uscita / Permitted output radial load
M ₂ [Nm]	Coppia in uscita in funzione di P ₁ / Output torque referred to P ₁		

Lubrificazione**Lubrication**

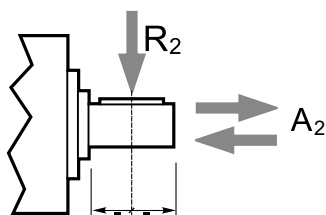
I riduttori epicicloidali sono lubrificati in modo permanente, non richiedono quindi ulteriore manutenzione. Questo gli consente di essere installati praticamente ovunque.

Planetary gearboxes are life-time lubricated with grease, therefore they are maintenance free. They can be installed in any location.



Carichi radiali

Radial loads



Numero di stadi Stages number	Carichi Radiali R_2 [N] / Radial Load R_2 [N]						
	P42	P52	P62	P72	P81	P105	P120
1	160	200	240	320	400	600	600
2	230	320	360	480	600	900	900
3	300	450	520	760	1000	1500	1500

Numero di stadi Stages number	Carichi Assiali A_2 [N] / Axial Load A_2 [N]						
	P42	P52	P62	P72	P81	P105	P120
1	50	60	70	70	80	120	120
2	80	100	100	100	120	180	180
3	110	150	150	160	200	300	300

Rapporti

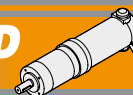
Ratios

Numero di stadi Stages number	Per tutte le grandezze di riduttori della serie P For all gearbox sizes of P range
	Rapporti / Ratios
1	3.70
	4.28*
	5.18*
	6.75
2	13.73
	15.88*
	18.36*
	19.20*
	22.20*
	25.01
	26.85*
	28.93*
	34.97*
45.56	
3	50.89
	58.85*
	68.06*
	71.16*
	78.71*
	92.70
	95.17*
	99.50*
	107.20*
	115.07*
	123.97*
	129.62*
	139.13*
	149.90*
	168.84
181.24*	
195.26*	
236.09*	
307.54	

Rapporti preferenziali
Preferred ratios

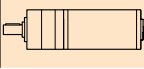
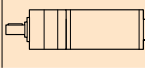
* Rapporto non disponibile su grandezza P120
Ratio not available on size P120

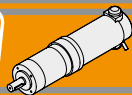
Disponibile a 4 stadi con rapporti fino a 2076
Available 4 stages with ratio up to 2076

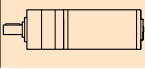


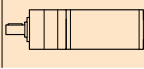
Dati tecnici per servizio S2

Technical data for S2 duty

P_1 [W]	n_2 [min ⁻¹]	M_2 [Nm]	sf	i		Versione motore Motor version	P_1 [W]	n_2 [min ⁻¹]	M_2 [Nm]	sf	i		Versione motore Motor version
70							100						
(2850 min ⁻¹)	59	7.8	1.9	50.89	ECP050/423	12E/24E	(3000 min ⁻¹)	59	11	2.3	50.89	ECP070/523	120/240
	51	9.1	1.7	58.85				51	13	2.0	58.85		
	44	10	1.4	68.06				44	15	1.7	68.06		
	42	11	1.4	71.16				42	15	1.6	71.16		
	38	12	1.2	78.71				38	17	1.5	78.71		
	32	14	1.1	92.70				32	20	1.2	92.70		
	31	15	1.0	95.17				31	21	1.2	95.17		
	30	15	1.0	99.50				30	22	1.2	99.50		
	28	17	0.9	107.20				28	23	1.1	107.20		
	26	18	0.8	115.07				26	25	1.0	115.07		
	24	19	0.8	123.97				24	27	0.9	123.97		
	23	20	0.8	129.62				23	28	0.9	129.62		
	22	21	0.7	139.13				22	30	0.8	139.13		
	20	21	0.7	149.90				20	33	0.8	149.90		
	18	21	0.7	168.84				18	36	0.7	168.84		
	17	21	0.7	181.24				17	36	0.7	181.24		
	15	21	0.7	195.26				15	36	0.7	195.26		
	13	21	0.7	236.09				13	36	0.7	236.09		
	9.8	21	0.7	307.54				9.8	36	0.7	307.54		
	163	3.0	4.0	18.36	ECP050/522	12E/24E		120.0	5.8	4.3	25.01	ECP070/622	120/240
	156	3.2	3.8	19.20				112	6.2	4.0	26.85		
	135	3.7	3.3	22.20				104	6.7	3.7	28.93		
	120	4.1	2.9	25.01				86	8.1	3.1	34.97		
	112	4.4	2.7	26.85				66	11	2.4	45.56		
	104	4.8	2.5	28.93				59	11	4.5	50.89	ECP070/623	120/240
	86	5.8	2.1	34.97				51	13	3.9	58.85		
	66	7.5	1.6	45.56				44	15	3.4	68.06		
	59	7.8	3.2	50.89	ECP050/523	12E/24E		42	15	3.2	71.16		
	51	9.1	2.8	58.85				38	17	2.9	78.71		
	44	10	2.4	68.06				32	20	2.5	92.70		
	42	11	2.3	71.16				31	21	2.4	95.17		
	38	12	2.1	78.71				30	22	2.3	99.50		
	32	14	1.8	92.70				28	23	2.1	107.20		
	31	15	1.7	95.17				26	25	2.0	115.07		
	30	15	1.6	99.50				24	27	1.9	123.97		
	28	17	1.5	107.20				23	28	1.8	129.62		
	26	18	1.4	115.07				22	30	1.7	139.13		
	24	19	1.3	123.97				20	33	1.5	149.90		
	23	20	1.3	129.62				18	37	1.4	168.84		
	22	21	1.2	139.13				17	39	1.3	181.24		
	20	23	1.1	149.90				15	42	1.2	195.26		
	18	26	1.0	168.84				13	51	1.0	236.09		
	17	28	0.9	181.24				9.8	67	0.7	307.54		
	15	30	0.8	195.26				32	20	4.2	92.70	ECP070/723	120/240
	13	36	0.7	236.09				31	21	4.1	95.17		
	9.8	36	0.7	307.54				30	22	3.9	99.50		
								28	23	3.6	107.20		
								26	25	3.4	115.07		
								24	27	3.1	123.97		
								23	28	3.0	129.62		
								22	30	2.8	139.13		
								20	33	2.6	149.90		
								18	37	2.3	168.84		
								17	39	2.1	181.24		
								15	42	2.0	195.26		
								13	51	1.6	236.09		
								9.8	67	1.3	307.54		
100							100						
(3000 min ⁻¹)	811	0.92	4.4	3.70	ECP070/521	120/240							
	701	1.1	3.8	4.28									
	579	1.3	3.1	5.18									
	444	1.7	2.4	6.75									
	218	3.2	3.8	13.73	ECP070/522	120/240							
	189	3.7	3.3	15.88									
	163	4.3	2.8	18.36									
	156	4.5	2.7	19.20									
	135	5.2	2.3	22.20									
	120	5.8	2.1	25.01									
	112	6.2	1.9	26.85									
	104	6.7	1.8	28.93									
	86	8.1	1.5	34.97									
	66	11	1.1	45.56									

**ECP****MOTORIDUTTORI CC EPICICLOIDALI A MAGNETI PERMANENTI IN FERRITE**
FERRITE PERMANENT MAGNETS DC PLANETARY GEARMOTORS**Dati tecnici per servizio S2****Technical data for S2 duty**

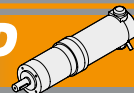
P ₁ [W]	n ₂ [min ⁻¹]	M ₂ [Nm]	sf	i		Versione motore Motor version
100						
(3000 min ⁻¹)	20	33	3.7	149.90	ECP070/813	120/240
	18	37	3.3	168.84		
	17	39	3.1	181.24		
	15	42	2.8	195.26		
	13	51	2.3	236.09		
	9.8	67	1.8	307.54		

P ₁ [W]	n ₂ [min ⁻¹]	M ₂ [Nm]	sf	i		Versione motore Motor version
140						
(3000 min ⁻¹)	59	15	3.3	50.89	ECP100/623	120/240/24E
	51	18	2.8	58.85		
	44	20	2.4	68.06		
	42	21	2.3	71.16		
	38	24	2.1	78.71		
	32	28	1.8	92.70		
	31	29	1.7	95.17		
	30	30	1.7	99.50		
	28	32	1.5	107.20		
	26	35	1.4	115.07		
	24	37	1.3	123.97		
	23	39	1.3	129.62		
	22	42	1.2	139.13		
	20	45	1.1	149.90		
	18	51	1.0	168.84		
	17	55	0.9	181.24		
	15	59	0.9	195.26		
	13	71	0.7	236.09		
	9.8	71	0.7	307.54		

140								
(3000 min ⁻¹)	811	1.3	3.1	3.70	ECP100/521	120/240/24E		
	701	1.5	2.7	4.28				
	579	1.8	2.2	5.18				
	444	2.3	1.7	6.75				
	218	4.4	2.7	13.73	ECP100/522	120/240/24E		
	189	5.1	2.3	15.88				
	163	5.9	2.0	18.36				
	156	6.2	1.9	19.20				
	135	7.2	1.7	22.20				
	120	8.1	1.5	25.01				
	112	8.7	1.4	26.85				
	104	9.3	1.3	28.93				
	86	11	1.1	34.97				
	66	15	0.8	45.56				
	59	15	1.6	50.89			ECP100/523	120/240/24E
	51	18	1.4	58.85				
	44	20	1.2	68.06				
	42	21	1.2	71.16				
	38	24	1.1	78.71				
	32	28	0.9	92.70				
	31	29	0.9	95.17				
	30	30	0.8	99.50				
	28	32	0.8	107.20				
	26	35	0.7	115.07				
	24	36	0.7	123.97				
	23	36	0.7	129.62				
	22	36	0.7	139.13				
	20	36	0.7	149.90				
	18	36	0.7	168.84				
	17	36	0.7	181.24				
	15	36	0.7	195.26				
	13	36	0.7	236.09				
	9.8	36	0.7	307.54				
	444	2.3	3.4	6.75	ECP100/621	120/240/24E		
	156	6.2	4.0	19.20	ECP100/622	120/240/24E		
	135	7.2	3.5	22.20				
	120	8.1	3.1	25.01				
	112	8.7	2.9	26.85				
	104	9.3	2.7	28.93				
	86	11	2.2	34.97				
	66	15	1.7	45.56				

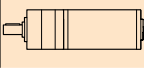
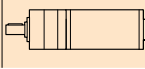
140						
(3000 min ⁻¹)	86	11	3.7	34.97	ECP100/722	120/240/24E
	66	15	2.9	45.56		
	44	20	4.1	68.06	ECP100/723	120/240/24E
	42	21	3.9	71.16		
	38	24	3.5	78.71		
	32	28	3.0	92.70		
	31	29	2.9	95.17		
	30	30	2.8	99.50		
	28	32	2.6	107.20		
	26	35	2.4	115.07		
	24	37	2.3	123.97		
	23	39	2.2	129.62		
	22	42	2.0	139.13		
	20	45	1.9	149.90		
	18	51	1.7	168.84		
	17	55	1.5	181.24		
	15	59	1.4	195.26		
	13	71	1.2	236.09		
	9.8	93	0.9	307.54		
	32	28	4.3	92.70	ECP100/813	120/240/24E
	31	29	4.2	95.17		
	30	30	4.0	99.50		
	28	32	3.7	107.20		
	26	35	3.5	115.07		
	24	37	3.2	123.97		
	23	39	3.1	129.62		
	22	42	2.9	139.13		
	20	45	2.7	149.90		
	18	51	2.4	168.84		
	17	55	2.2	181.24		
	15	59	2.0	195.26		
	13	71	1.7	236.09		
	9.8	93	1.3	307.54		

250						
(3000 min ⁻¹)	811	2.4	1.7	3.70	ECP180/521	120/240
	701	2.7	1.5	4.28		
	579	3.3	1.2	5.18		
	444	4.3	0.9	6.75		



Dati tecnici per servizio S2

Technical data for S2 duty

P_1 [W]	n_2 [min ⁻¹]	M_2 [Nm]	sf	i		Versione motore Motor version	P_1 [W]	n_2 [min ⁻¹]	M_2 [Nm]	sf	i		Versione motore Motor version
250							250						
(3000 min ⁻¹)	218	8.2	1.5	13.73	ECP180/522	120/240	(3000 min ⁻¹)	163	11	3.8	18.36	ECP180/722	120/240/24E
	189	9.5	1.3	15.88				156	12	3.6	19.20		
	163	11	1.1	18.36				135	13	3.2	22.20		
	156	12	1.0	19.20				120	15	2.8	25.01		
	135	13	0.9	22.20				112	16	2.6	26.85		
	120	15	0.8	25.01				104	17	2.4	28.93		
	112	16	0.7	26.85				86	21	2.0	34.97		
	104	17	0.7	28.93				66	27	1.5	45.56		
	86	17	0.7	34.97				59	28	2.9	50.89	ECP180/723	120/240/24E
	66	17	0.7	45.56				51	33	2.5	58.85		
	59	28	0.9	50.89				44	38	2.2	68.06		
	51	33	0.8	58.85				42	40	2.1	71.16		
	44	36	0.7	68.06				38	44	1.9	78.71		
	42	36	0.7	71.16				32	52	1.6	92.70		
	38	36	0.7	78.71				31	53	1.6	95.17		
	32	36	0.7	92.70				30	56	1.5	99.50		
	31	36	0.7	95.17				28	60	1.4	107.20		
	30	36	0.7	99.50				26	64	1.3	115.07		
	28	36	0.7	107.20				24	69	1.2	123.97		
	26	36	0.7	115.07	ECP180/523	120/240		23	73	1.2	129.62		
	24	36	0.7	123.97				22	78	1.1	139.13		
	23	36	0.7	129.62				20	84	1.0	149.90		
	22	36	0.7	139.13				18	95	0.9	168.84		
	20	36	0.7	149.90				17	101	0.8	181.24		
	18	36	0.7	168.84				15	109	0.8	195.26		
	17	36	0.7	181.24				13	120	0.7	236.09		
	15	36	0.7	195.26				9.8	120	0.7	307.54		
	13	36	0.7	236.09				120	15	4.0	25.01	ECP180/812	120/240/24E
	9.8	36	0.7	307.54				112	16	3.7	26.85		
	811	2.4	3.4	3.70	ECP180/621	120/240/24E		104	17	3.5	28.93		
	701	2.7	2.9	4.28				86	21	2.9	34.97		
	579	3.3	2.4	5.18				66	27	2.2	45.56		
	444	4.3	1.9	6.75				51	33	3.6	58.85	ECP180/813	120/240/24E
	218	8.2	3.0	13.73	ECP180/622	120/240/24E		44	38	3.1	68.06		
	189	9.5	2.6	15.88				42	40	3.0	71.16		
	163	11	2.3	18.36				38	44	2.7	78.71		
	156	12	2.2	19.20				32	52	2.3	92.70		
	135	13	1.9	22.20				31	53	2.3	95.17		
	120	15	1.7	25.01				30	56	2.2	99.50		
	112	16	1.6	26.85				28	60	2.0	107.20		
	104	17	1.4	28.93				26	64	1.9	115.07		
	86	21	1.2	34.97				24	69	1.7	123.97		
	66	27	0.9	45.56				23	73	1.7	129.62		
	59	28	1.8	50.89	ECP180/623	120/240/24E		22	78	1.5	139.13		
	51	33	1.5	58.85				20	84	1.4	149.90		
	44	38	1.3	68.06				18	95	1.3	168.84		
	42	40	1.3	71.16				17	101	1.2	181.24		
	38	44	1.1	78.71				15	109	1.1	195.26		
	32	52	1.0	92.70				13	132	0.9	236.09		
	31	53	0.9	95.17				9.8	172	0.7	307.54		
	30	56	0.9	99.50									
	28	60	0.8	107.20									
	26	64	0.8	115.07									
	24	69	0.7	123.97									
	23	71	0.7	129.62									
	22	71	0.7	139.13									
	20	71	0.7	149.90									
	18	71	0.7	168.84									
	17	71	0.7	181.24									
	15	71	0.7	195.26									
	13	71	0.7	236.09									
	9.8	71	0.7	307.54									

ECP

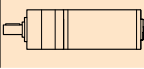
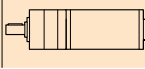


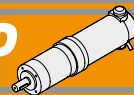
ECP

MOTORIDUTTORI CC EPICICLOIDALI A MAGNETI PERMANENTI IN FERRITE
FERRITE PERMANENT MAGNETS DC PLANETARY GEARMOTORS

Dati tecnici per servizio S2

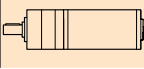
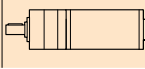
Technical data for S2 duty

P_1 [W]	n_2 [min ⁻¹]	M_2 [Nm]	sf	i		Versione motore Motor version	P_1 [W]	n_2 [min ⁻¹]	M_2 [Nm]	sf	i		Versione motore Motor version		
250							350								
(3000 min ⁻¹)	32	52	3.8	92.70	ECP180/1053	120/240/24E	(3000 min ⁻¹)	218	11.5	3.6	13.73	ECP250/722	120/240		
	31	53	3.7	95.17											
	30	56	3.5	99.50											
	28	60	3.2	107.20											
	26	64	3.0	115.07											
	24	69	2.8	123.97											
	23	73	2.7	129.62											
	22	78	2.5	139.13											
	20	84	2.3	149.90											
	18	95	2.1	168.84											
	17	101	1.9	181.24											
	15	109	1.8	195.26											
	13	132	1.5	236.09											
	9.8	172	1.1	307.54											
	18	95	3.2	168.84	ECP180/1203	120/240/24E		59	39.9	2.1	50.89	ECP250/723	120/240		
	9.8	172	1.7	307.54											
350							350								
(3000 min ⁻¹)	811	3.3	2.4	3.70	ECP250/621	120/240	(3000 min ⁻¹)	218	11.5	3.6	13.73			ECP250/723	120/240
	701	3.8	2.1	4.28											
	579	4.6	1.7	5.18											
	444	6.0	1.3	6.75											
	218	11.5	2.2	13.73	ECP250/622	120/240		51	46.1	1.8	58.85				
	189	13.3	1.9	15.88											
	163	15.4	1.6	18.36											
	156	16.1	1.6	19.20											
	135	18.6	1.3	22.20											
	120	21.0	1.2	25.01											
	112	22.6	1.1	26.85											
	104	24.3	1.0	28.93											
	86	29.4	0.9	34.97											
	66	38.3	0.7	45.56											
	59	39.9	1.3	50.89			ECP250/623	120/240		44	53.4	1.6	68.06		
	51	46.1	1.1	58.85											
	44	53.4	0.9	68.06											
	42	55.8	0.9	71.16											
	38	61.7	0.8	78.71											
	32	72.7	0.7	92.70											
	32	74.6	0.7	95.17											
	30	71.0	0.7	99.50											
	28	71.0	0.7	107.20											
	26	71.0	0.7	115.07											
	24	71.0	0.7	123.97											
	23	71.0	0.7	129.62											
	22	71.0	0.7	139.13											
	20	71.0	0.7	149.90											
	18	71.0	0.7	168.84											
	17	71.0	0.7	181.24											
	15	71.0	0.7	195.26											
	13	71.0	0.7	236.09											
	9.8	71.0	0.7	307.54											
	811	3.3	4.2	3.70	ECP250/721			701	3.8	5.2	4.28	ECP250/811	120/240		
	701	3.8	3.7	4.28											
	579	4.6	3.0	5.18											
	444	6.0	2.3	6.75											
	218	11.5	5.2	13.73	ECP250/812	120/240		579	4.6	4.3	5.18				
	189	13.3	4.5	15.88											
	163	15.4	3.9	18.36											
	156	16.1	3.7	19.20											
	135	18.6	3.2	22.20											
	120	21.0	2.9	25.01											
	112	22.6	2.7	26.85											
	104	24.3	2.5	28.93											
	86	29.4	2.0	34.97											
	66	38.3	1.6	45.56											
	59	39.9	3.0	50.89			ECP250/813	120/240		444	6.0	3.3	6.75		
	51	46.1	2.6	58.85											
	44	53.4	2.2	68.06											
	42	55.8	2.2	71.16											
	38	61.7	1.9	78.71											
	32	72.7	1.7	92.70											
	32	74.6	1.6	95.17											
	30	78.0	1.5	99.50											
	28	84.0	1.4	107.20											
	26	90.2	1.3	115.07											
	24	97.2	1.2	123.97											
	23	101.6	1.2	129.62											
	22	109.1	1.1	139.13											
	20	117.5	1.0	149.90											
	18	132.4	0.9	168.84											
	17	142.1	0.8	181.24											
	15	153.1	0.8	195.26											
	13	171.0	0.7	236.09											
	9.8	171.0	0.7	307.54											



Dati tecnici per servizio S2

Technical data for S2 duty

P_1 [W]	n_2 [min ⁻¹]	M_2 [Nm]	sf	i		Versione motore Motor version	P_1 [W]	n_2 [min ⁻¹]	M_2 [Nm]	sf	i		Versione motore Motor version
500							500						
(3000 min ⁻¹)	120	21.0	5.0	25.01	ECP250/1052	120/240	(3000 min ⁻¹)	17	71	0.7	181.24	ECP350/623	120/240
	112	22.6	4.7	26.85				15	71	0.7	195.26		
	104	24.3	4.3	28.93				13	71	0.7	236.09		
	86	29.4	3.6	34.97				9.8	71	0.7	307.54		
	66	38.3	2.7	45.56									
	59	39.9	4.9	50.89	ECP250/1053	120/240		811	4.6	3.0	3.70	ECP350/721	120/240
	51	46.1	4.2	58.85				701	5.4	2.6	4.28		
	44	53.4	3.7	68.06				579	6.5	2.2	5.18		
	42	55.8	3.5	71.16				444	8.5	1.7	6.75		
	38	61.7	3.2	78.71				218	16	2.6	13.73	ECP350/722	120/240
	32	72.7	2.7	92.70				189	19	2.2	15.88		
	32	74.6	2.6	95.17				163	22	1.9	18.36		
	30	78.0	2.5	99.50				156	23	1.9	19.20		
	28	84.0	2.3	107.20				135	26	1.6	22.20		
	26	90.2	2.2	115.07				120	29	1.4	25.01		
	24	97.2	2.0	123.97				112	32	1.3	26.85		
	23	101.6	1.9	129.62				104	34	1.2	28.93		
	22	109.1	1.8	139.13				86	41	1.0	34.97		
	20	117.5	1.7	149.90				66	54	0.8	45.56		
	18	132.4	1.5	168.84				59	56	1.5	50.89	ECP350/723	120/240
	17	142.1	1.4	181.24				51	65	1.3	58.85		
	15	153.1	1.3	195.26				44	75	1.1	68.06		
	13	185.1	1.1	236.09				42	78	1.1	71.16		
	9.8	241.1	0.8	307.54				38	87	1.0	78.71		
	66	38.3	3.9	45.56	ECP250/1202	120/240		32	102	0.8	92.70		
	32	72.7	4.1	92.70	ECP250/1203	120/240		31	105	0.8	95.17		
	18	132.4	2.3	168.84				30	109	0.8	99.50		
	9.8	241.1	1.2	307.54				28	118	0.7	107.20		
								26	120	0.7	115.07		
								24	120	0.7	123.97		
								23	120	0.7	129.62		
								22	120	0.7	139.13		
								20	120	0.7	149.90		
								18	120	0.7	168.84		
								17	120	0.7	181.24		
								15	120	0.7	195.26		
								13	120	0.7	236.09		
								9.8	120	0.7	307.54		
								701	5.4	3.7	4.28	ECP350/811	120/240
								579	6.5	3.1	5.18		
								444	8.5	2.4	6.75		
								218	16	3.7	13.73	ECP350/812	120/240
								189	19	3.2	15.88		
								163	22	2.8	18.36		
								156	23	2.7	19.20		
								135	26	2.3	22.20		
								120	29	2.0	25.01		
								112	32	1.9	26.85		
								104	34	1.8	28.93		
								86	41	1.5	34.97		
								66	54	1.1	45.56		
								59	56	2.1	50.89	ECP350/813	120/240
								51	65	1.9	58.85		
								44	75	1.6	68.06		
								42	78	1.5	71.16		
								38	87	1.4	78.71		
								32	102	1.2	92.70		
								31	105	1.1	95.17		
								30	109	1.1	99.50		
								28	118	1.0	107.20		

ECP

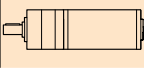
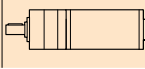


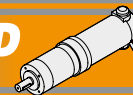
ECP

MOTORIDUTTORI CC EPICICLOIDALI A MAGNETI PERMANENTI IN FERRITE
FERRITE PERMANENT MAGNETS DC PLANETARY GEARMOTORS

Dati tecnici per servizio S2

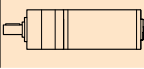
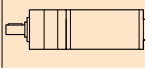
Technical data for S2 duty

P_1 [W]	n_2 [min ⁻¹]	M_2 [Nm]	sf	i		Versione motore Motor version	P_1 [W]	n_2 [min ⁻¹]	M_2 [Nm]	sf	i		Versione motore Motor version			
500							800									
(3000 min ⁻¹)	26	126	0.9	115.07	ECP350/813	120/240	(3000 min ⁻¹)	59	90	0.9	50.89	ECP600/723	120/240			
	24	136	0.9	123.97			51	105	0.8	58.85						
	23	142	0.8	129.62			44	120	0.7	68.06						
	22	153	0.8	139.13			42	120	0.7	71.16						
	20	165	0.7	149.90			38	120	0.7	78.71						
	18	171	0.7	168.84			32	120	0.7	92.70						
	17	171	0.7	181.24			31	120	0.7	95.17						
	15	171	0.7	195.26			30	120	0.7	99.50						
	13	171	0.7	236.09			28	120	0.7	107.20						
	9.8	171	0.7	307.54			26	120	0.7	115.07						
	120	29	3.6	25.01	ECP350/1052	120/240	24	120	0.7	123.97	23	120	0.7	129.62		
	112	32	3.3	26.85			22	120	0.7	139.13						
	104	34	3.1	28.93			20	120	0.7	149.90						
	86	41	2.5	34.97			18	120	0.7	168.84						
	66	54	2.0	45.56			17	120	0.7	181.24						
	59	56	3.5	50.89	ECP350/1053	120/240	15	120	0.7	195.26	13	120	0.7	236.09		
	51	65	3.0	58.85			9.8	120	0.7	307.54						
	44	75	2.6	68.06			811	7.5	2.7	3.70	ECP600/811	120/240				
	42	78	2.5	71.16			701	8.7	2.3	4.28						
	38	87	2.3	78.71			579	11	1.9	5.18						
	32	102	1.9	92.70			444	14	1.5	6.75	ECP600/812	120/240				
	31	105	1.9	95.17			218	26	2.3	13.73						
	30	109	1.8	99.50			189	30	2.0	15.88						
	28	118	1.7	107.20			163	35	1.7	18.36						
	26	126	1.5	115.07			156	37	1.6	19.20						
	24	136	1.4	123.97	135	42	1.4	22.20								
	23	142	1.4	129.62	120	48	1.3	25.01								
	22	153	1.3	139.13	112	51	1.2	26.85								
	20	165	1.2	149.90	104	55	1.1	28.93								
	18	186	1.1	168.84	86	67	0.9	34.97								
	17	199	1.0	181.24	66	86	0.7	45.56								
	15	215	0.9	195.26	59	90	1.3	50.89	ECP600/813	120/240						
	13	259	0.8	236.09	51	105	1.1	58.85								
	9.8	279	0.7	307.54	44	121	1.0	68.06	ECP600/814	120/240						
	66	54	2.8	45.56	ECP350/1202	120/240	42	127			0.9	71.16				
	32	102	2.9	92.70	ECP350/1203	120/240	38	140			0.9	78.71				
	18	186	1.6	168.84			32	165			0.7	92.70				
	9.8	338	0.9	307.54	31	169	0.7	95.17			30	171	0.7	99.50		
	811	7.5	1.9	3.70	ECP600/721	120/240	28	171			0.7	107.20	26	171	0.7	115.07
	701	8.7	1.6	4.28			24	171			0.7	123.97				
	579	11	1.3	5.18			23	171			0.7	129.62				
	444	14	1.0	6.75			22	171			0.7	139.13				
	218	26	1.6	13.73			20	171			0.7	149.90				
	189	30	1.4	15.88	18	171	0.7	168.84	ECP600/722	120/240						
	163	35	1.2	18.36	17	171	0.7	181.24								
	156	37	1.1	19.20	15	171	0.7	195.26								
	135	42	1.0	22.20	13	171	0.7	236.09								
	120	48	0.9	25.01	9.8	171	0.7	307.54								
	112	51	0.8	26.85	701	8.7	4.0	4.28			ECP600/1051	120/240				
	104	55	0.8	28.93	579	11	3.3	5.18								
	86	60	0.7	34.97	444	14	2.6	6.75								
	66	60	0.7	45.56												



Dati tecnici per servizio S2

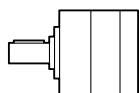
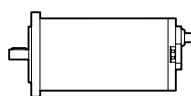
Technical data for S2 duty

P_1 [W]	n_2 [min ⁻¹]	M_2 [Nm]	sf	i		Versione motore Motor version	P_1 [W]	n_2 [min ⁻¹]	M_2 [Nm]	sf	i		Versione motore Motor version	
800							800							
(3000 min ⁻¹)	218	26	4.0	13.73	ECP600/1052	120/240	(3000 min ⁻¹)	120	48	3.1	25.01	ECP600/1202	120/240	
	189	30	3.5	15.88					66	87	1.7			45.56
	163	35	3.0	18.36										
	156	37	2.9	19.20					59	90	3.3	50.89	ECP600/1203	120/240
	135	42	2.5	22.20					32	165	1.8	92.70		
	120	48	2.2	25.01					18	300	1.0	168.84		
	112	51	2.1	26.85					9.8	429	0.7	307.54		
	104	55	1.9	28.93										
	86	67	1.6	34.97										
	66	87	1.2	45.56										
	59	90	2.2	50.89			ECP600/1053	120/240						
	51	105	1.9	58.85										
	44	121	1.6	68.06										
	42	127	1.5	71.16										
	38	140	1.4	78.71										
	32	165	1.2	92.70										
	31	169	1.2	95.17										
	30	177	1.1	99.50										
	28	191	1.0	107.20										
	26	205	1.0	115.07										
	24	220	0.9	123.97										
	23	230	0.8	129.62										
	22	247	0.8	139.13										
	20	267	0.7	149.90										
	18	279	0.7	168.84										
	17	279	0.7	181.24										
	15	279	0.7	195.26										
	13	279	0.7	236.09										
	9.8	279	0.7	307.54										

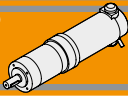
ECP

Motori applicabili

IEC Motor adapters



		EC								
		020.120 020.24E	035.120 035.240	050.12E 050.24E	070.120 070.240	100.120 100.240 100.24E	180.120 180.240	180.24E	250.120 250.240	350.120 350.240
P	42									
	52									
	62									
	72									
	81									
	105									
	120									



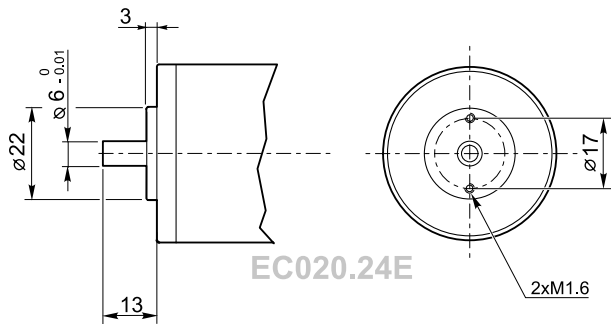
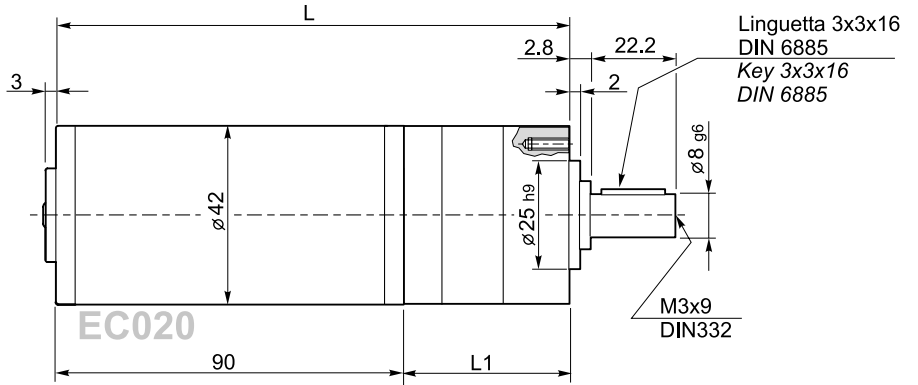
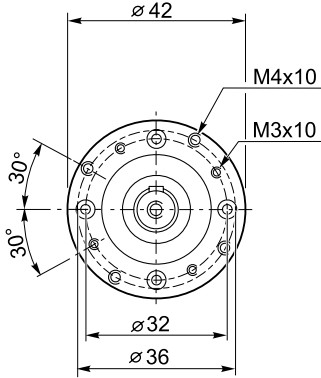
ECP

MOTORIDUTTORI CC EPICICLOIDALI A MAGNETI PERMANENTI IN FERRITE
FERRITE PERMANENT MAGNETS DC PLANETARY GEARMOTORS

Dimensioni

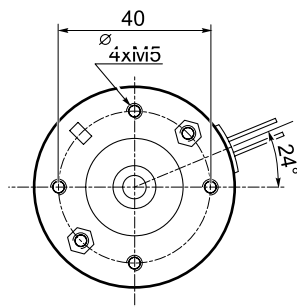
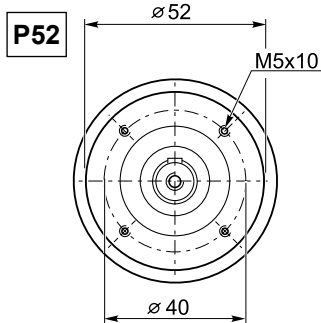
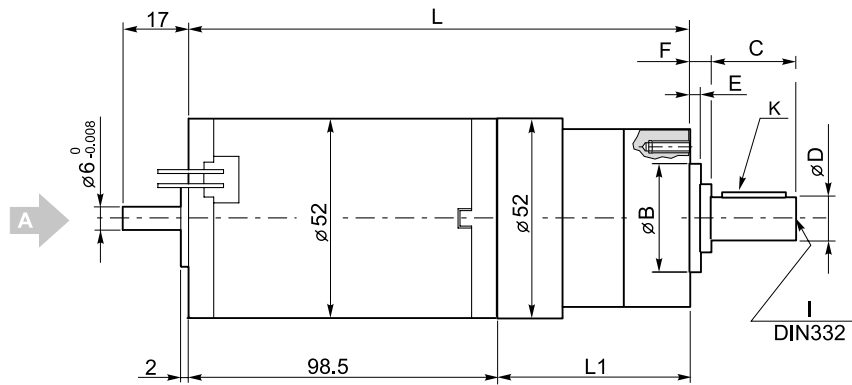
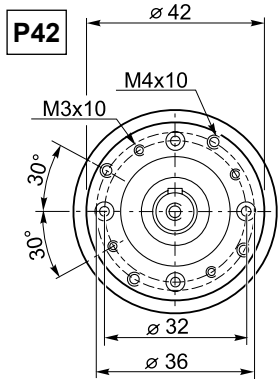
Dimensions

ECP020/42... U

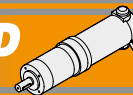


	Numero di stadi / Stages number		
ECP020/42...	1	2	3
L1	60	73	86
L	150	163	176

ECP035/... U



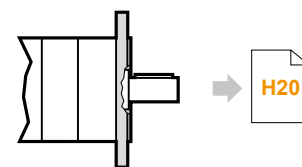
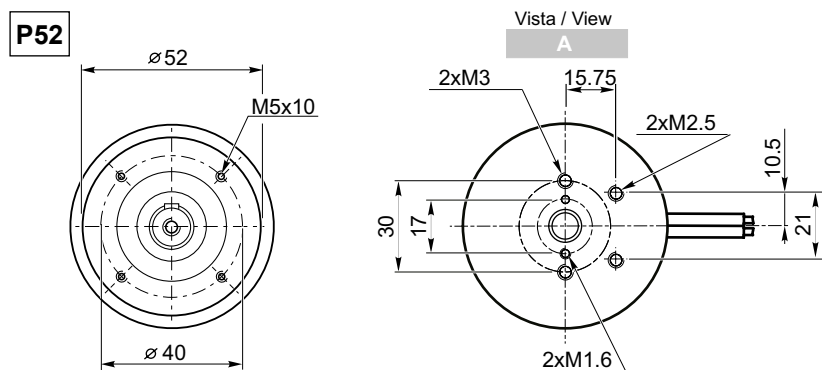
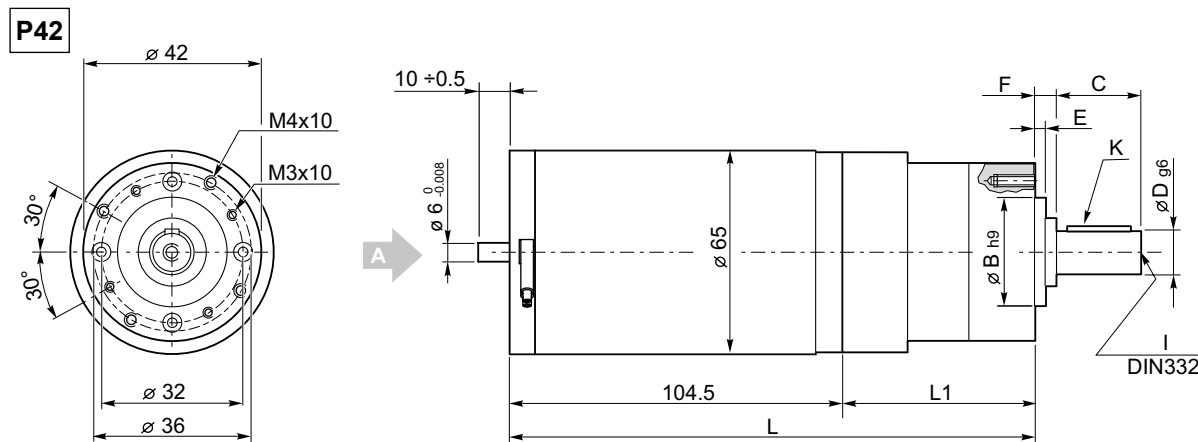
Tipo Type	Numero di stadi Stages number	Dimensioni / Dimensions								
		L1	L	B	C	D	E	F	I	K
ECP035/42...	1	60	158.5	25 h9	22.2	8 g6	2	2.8	M3x9	3x3x16
	2	73	171.5							
	3	86	184.5							
ECP035/52...	1	72.5	175.5	32 h8	20.8	12 h7	3	4.2	M4x10	4x4x16
	2	86.5	189.5							
	3	100.5	203.5							



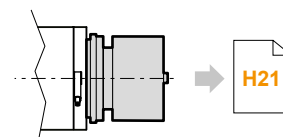
Dimensioni

Dimensions

ECP050/... U



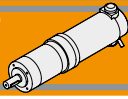
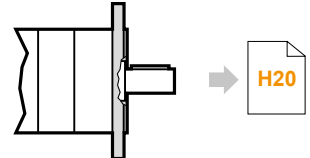
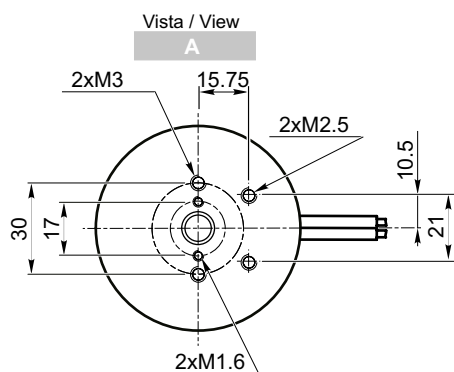
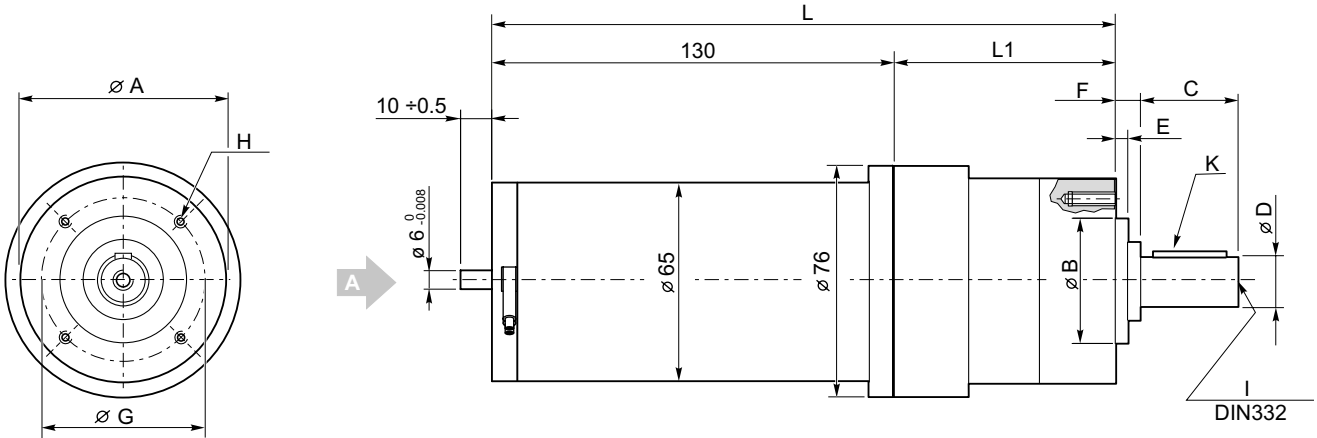
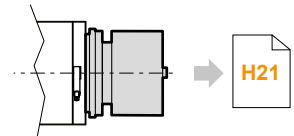
ECP050/... C...



ECP050/... U.. BR
ECP050/... U.. BRL

ECP

Tipo Type	Numero di stadi Stages number	Dimensioni / Dimensions								
		L1	L	B	C	D	E	F	I	K
ECP050/42...	1	60	164.5	25 h9	22.2	8 g6	2	2.8	M3x9	3x3x16
	2	73	177.5							
	3	86	190.5							
ECP050/52...	1	72.5	177	32 h8	20.8	12 h7	3	4.2	M4x10	4x4x16
	2	86.5	191							
	3	100.5	205							

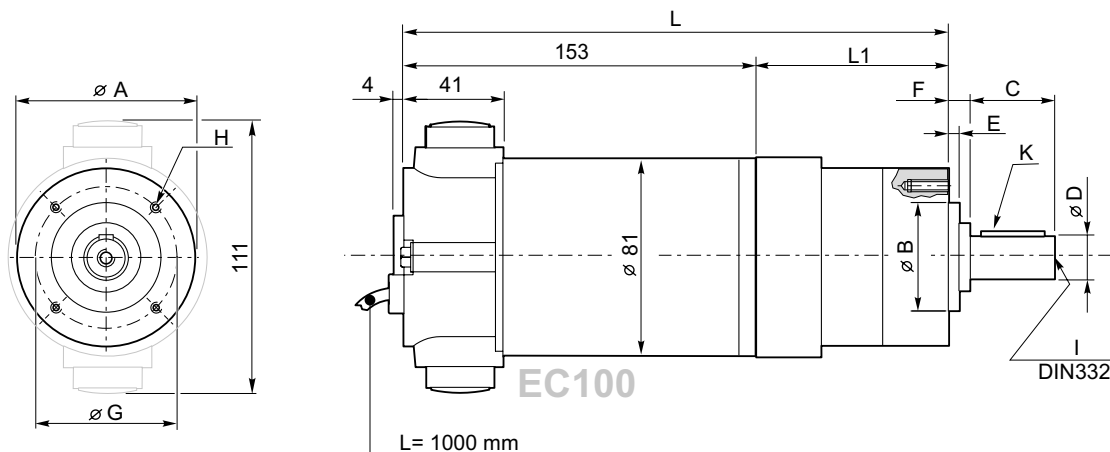
**ECP****MOTORIDUTTORI CC EPICICLOIDALI A MAGNETI PERMANENTI IN FERRITE**
*FERRITE PERMANENT MAGNETS DC PLANETARY GEARMOTORS***Dimensioni****Dimensions****ECP070/... U****ECP070/... C...****ECP070/... U.. BR**
ECP070/... U.. BRL

Tipo Type	Numero di stadi Stages number	Dimensioni / Dimensions											
		L1	L	A	B	C	D	E	F	G	H	I	K
ECP070/52...	1	74	204	52	32 h8	20.8	12 h7	3	4.2	40	M5x10	M4x10	4x4x16
	2	88	218										
	3	102	232										
ECP070/62...	1	74	204	62	40 j7	30	14 h7	5	9	52	M5x10	M5x12	5x5x18
	2	90	220										
	3	106	236										
ECP070/72...	1	82.4	212.4	72	45 j7	40	16 h7	5	9	60	M5x10	M5x12	5x5x30
	2	102	232										
	3	121.6	251.6										
ECP070/81...	1	91	221	81	50 j7	40	19 h7	5	9	65	M6x12	M6x16	6x6x28
	2	113	243										
	3	135	265										

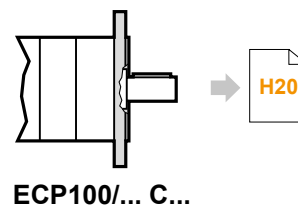
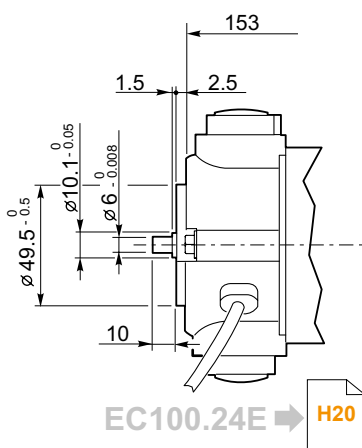
Dimensioni

Dimensions

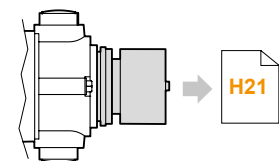
ECP100/... U... 120/140



ECP100/... U... 24E



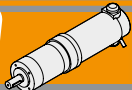
ECP100/... C...



ECP100/... U.. BR
ECP100/... U.. BRL

ECP

Tipo Type	Numero di stadi Stages number	Dimensioni / Dimensions											
		L1	L	A	B	C	D	E	F	G	H	I	K
ECP100/52...	1	74	227	52	32 h8	20.8	12 h7	3	4.2	40	M5x10	M4x10	4x4x16
	2	88	241										
	3	102	255										
ECP100/62...	1	74	227	62	40 j7	30	14 h7	5	9	52	M5x10	M5x12	5x5x18
	2	90	243										
	3	106	259										
ECP100/72...	1	82.4	235.4	72	45 j7	40	16 h7	5	9	60	M5x10	M5x12	5x5x30
	2	102	255										
	3	121.6	274.6										
ECP100/81...	1	91	244	81	50 j7	40	19 h7	5	9	65	M6x12	M6x16	6x6x28
	2	113	266										
	3	135	288										



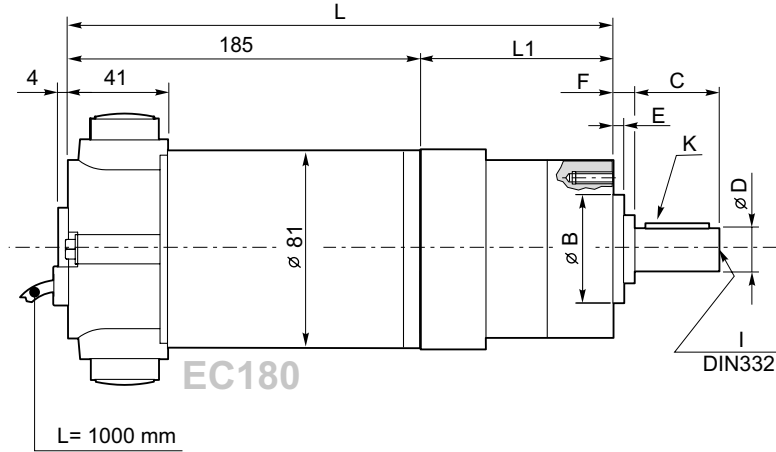
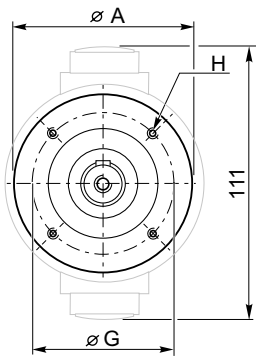
ECP

MOTORIDUTTORI CC EPICICLOIDALI A MAGNETI PERMANENTI IN FERRITE
FERRITE PERMANENT MAGNETS DC PLANETARY GEARMOTORS

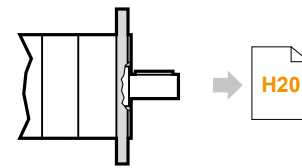
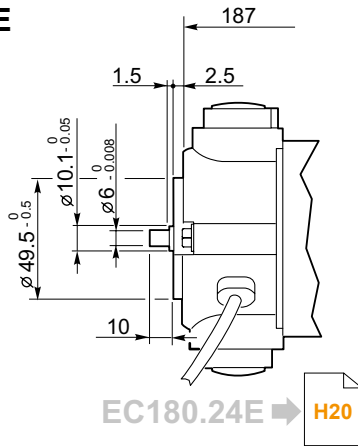
Dimensioni

Dimensions

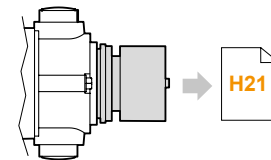
ECP180/... U... 120/240



ECP180/... U... 24E

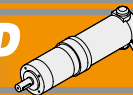


ECP180/... C...



ECP180/... U.. BR
ECP180/... U.. BRL

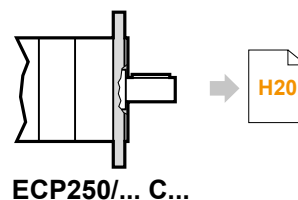
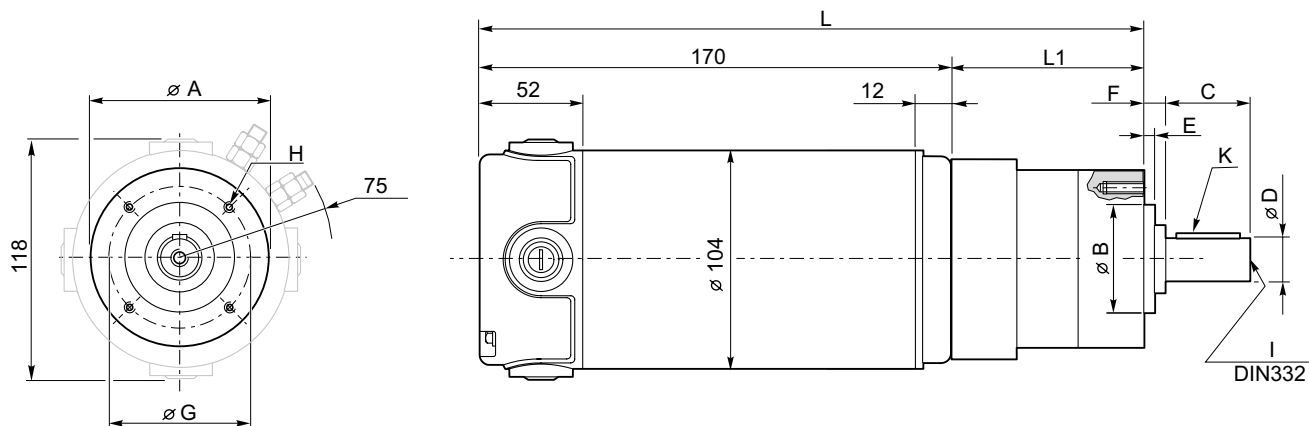
Tipo Type	Numero di stadi Stages number	Dimensioni / Dimensions													
		EC180		EC180.24E		EC180 - EC180.24E									
		L1	L	L1	L	A	B	C	D	E	F	G	H	I	K
ECP180/52...	1	74	259			52	32 h8	20.8	12 h7	3	4.2	40	M5x10	M4x10	4x4x16
	2	88	273												
	3	102	287												
ECP180/62...	1	74	259	76	263	62	40 j7	30	14 h7	5	9	52	M5x10	M5x12	5x5x18
	2	90	275	92	279										
	3	106	291	108	295										
ECP180/72...	1	82.4	267.4	88.4	275.4	72	45 j7	40	16 h7	5	9	60	M5x10	M5x12	5x5x30
	2	102	287	108	295										
	3	121.6	306.6	127.6	314.6										
ECP180/81...	1	91	276	94	281	81	50 j7	40	19 h7	5	9	65	M6x12	M6x16	6x6x28
	2	113	298	116	303										
	3	135	320	138	325										
ECP180/105...	1	113.4	298.4	116.4	303.4	105	70 j7	50	25 h7	5	9	85	M8x16	M10x22	8x7x40
	2	144.5	329.5	147.5	334.5										
	3	175.5	360.5	178.5	365.5										
ECP180/120...	1	131.6	316.6	134.5	321.4	120	80 j7	73	32 k6	5	15	100	M10x22	M12	10x8x50
	2	165.8	350.8	168.6	355.6										
	3	200	385	202.8	389.8										



Dimensioni

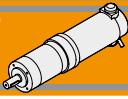
Dimensions

ECP250/... U



Tipo Type	Numero di stadi Stages number	Dimensioni / Dimensions											
		L1	L	A	B	C	D	E	F	G	H	I	K
ECP250/62...	1	76	246	62	40 j7	30	14 h7	5	9	52	M5x10	M5x12	5x5x18
	2	92	262										
	3	108	278										
ECP250/72...	1	85.4	255.4	72	45 j7	40	16 h7	5	9	60	M5x10	M5x12	5x5x30
	2	105	275										
	3	124.6	294.6										
ECP250/81...	1	94	264	81	50 j7	40	19 h7	5	9	65	M6x12	M6x16	6x6x28
	2	116	286										
	3	138	308										
ECP250/105...	1	113.4	283.4	105	70 j7	50	25 h7	5	9	85	M8x16	M10x22	8x7x40
	2	144.5	314.5										
	3	175.5	345.5										
ECP250/120...	1	131.6	301.6	120	80 j7	73	32 k6	5	15	100	M10x22	M12	10x8x50
	2	165.8	335.8										
	3	200	370										

ECP



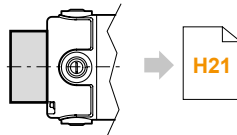
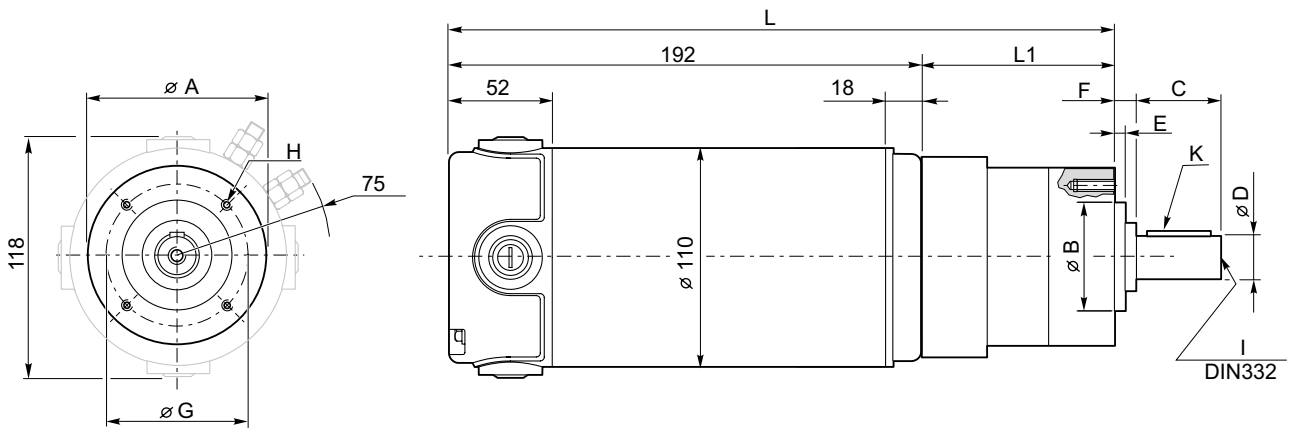
ECP

MOTORIDUTTORI CC EPICICLOIDALI A MAGNETI PERMANENTI IN FERRITE
FERRITE PERMANENT MAGNETS DC PLANETARY GEARMOTORS

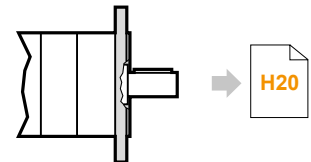
Dimensioni

Dimensions

ECP350/... U

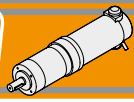


ECP350/... U.. BR
ECP350/... U.. BRL



ECP350/... C...

Tipo Type	Numero di stadi Stages number	Dimensioni / Dimensions											
		L1	L	A	B	C	D	E	F	G	H	I	K
ECP350/62...	1	76	268	62	40 j7	30	14 h7	5	9	52	M5x10	M5x12	5x5x18
	2	92	284										
	3	108	300										
ECP350/72...	1	85.4	277.4	72	45 j7	40	16 h7	5	9	60	M5x10	M5x12	5x5x30
	2	105	297										
	3	124.6	316.6										
ECP350/81...	1	94	286	81	50 j7	40	19 h7	5	9	65	M6x12	M6x16	6x6x28
	2	116	308										
	3	138	330										
ECP350/105...	1	113.4	305.4	105	70 j7	50	25 h7	5	9	85	M8x16	M10x22	8x7x40
	2	144.5	336.5										
	3	175.5	367.5										
ECP350/120...	1	131.6	323.6	120	80 j7	73	32 k6	5	15	100	M10x22	M12	10x8x50
	2	165.8	357.8										
	3	200	392										



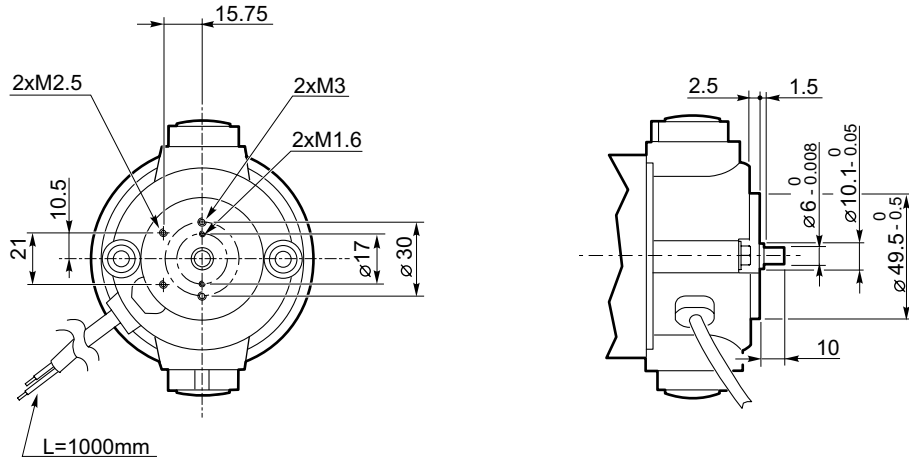
ECP

MOTORIDUTTORI CC EPICICLOIDALI A MAGNETI PERMANENTI IN FERRITE
FERRITE PERMANENT MAGNETS DC PLANETARY GEARMOTORS

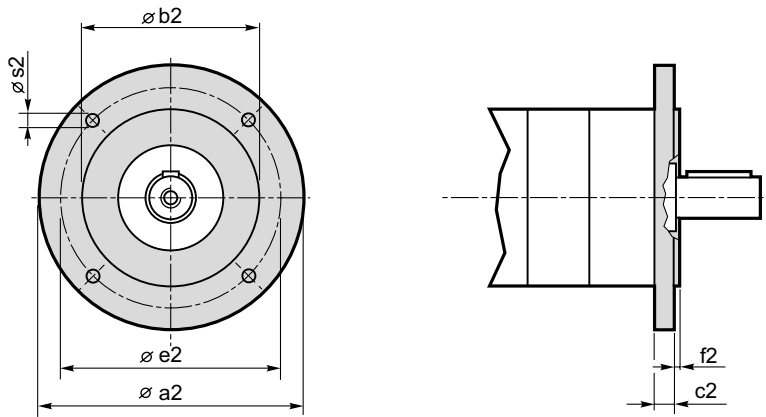
Dimensioni

Dimensions

ECP100.24E
ECP180.24E



ECP.../... C... Flange uscita / Output flanges



Dimensioni / Dimensions

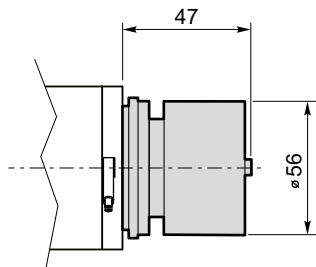
P	a2	b2	c2	e2	f2	s2	Flangia uscita Output flange
52	80	50 j7	9	65	2.5	M5	C80
	90	60 j7	9	75	2.5	5.5	C90
	105	70 j7	9	85	2.5	6.5	C105
	120	80 j7	9	100	3.0	6.5	C120
62	80	50 j7	9	65	2.5	M5	C80
	90	60 j7	9	75	2.5	5.5	C90
	105	70 j7	9	85	2.5	6.5	C105
	120	80 j7	9	100	3.0	6.5	C120
72	80	50 j7	9	65	2.5	M5	C80
	90	60 j7	9	75	2.5	M5	C90
	105	70 j7	9	85	2.5	6.5	C105
	120	80 j7	9	100	3.0	6.5	C120
81	90	60 j7	9	75	2.5	M5	C90
	105	70 j7	9	85	2.5	M6	C105
	120	80 j7	9	100	3.0	6.5	C120
105	120	80 j7	12	100	3	M6	C120
	140	95 j7	12	115	3.5	M8	C140
	160	110 j7	12	130	3.5	M8	C160
120	140	95 j7	15	115	3	M8	C140
	160	110 j7	15	130	3.5	M8	C160

Dimensioni

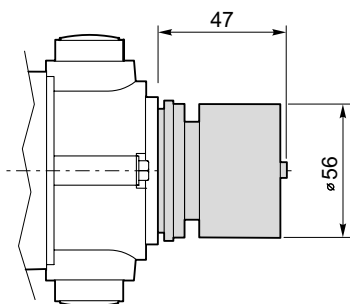
Dimensions

Freno / Brake

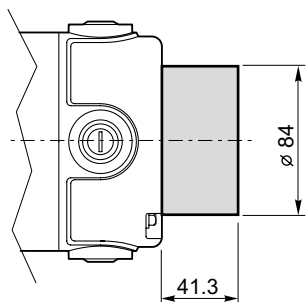
ECP50/... U BR
ECP70/... U BR



ECP100/... U BR
ECP180/... U BR

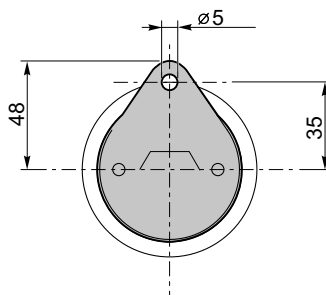


ECP350/... U BR
ECP600/... U BR

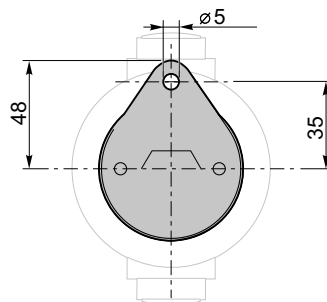


Freno con leva di sblocco/ Brake with hand release

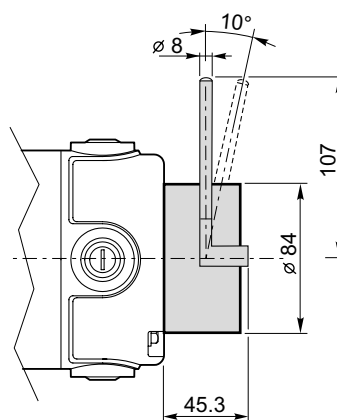
ECP50/... U BRL
ECP70/... U BRL



ECP100/... U BRL
ECP180/... U BRL



ECP350/... U BRL
ECP600/... U BRL



ECP